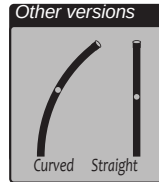


## Z-shaped support (under coping cover) : GCE-REI

The **SECURILISSE<sup>®</sup> evo GCE-REI** is a collective system against falls from heights, designed for roofs that are inaccessible to the public for installation under a coping cover. The base is fixed on the upper face of the parapet, under the coping cover. The 30-degree inclined version is chosen for aesthetic reasons as it is less visible from the ground.

**Quick installation**  
**No maintenance**  
**Attractive design**  
**Preserves the waterproofing**



Materials: Aluminium

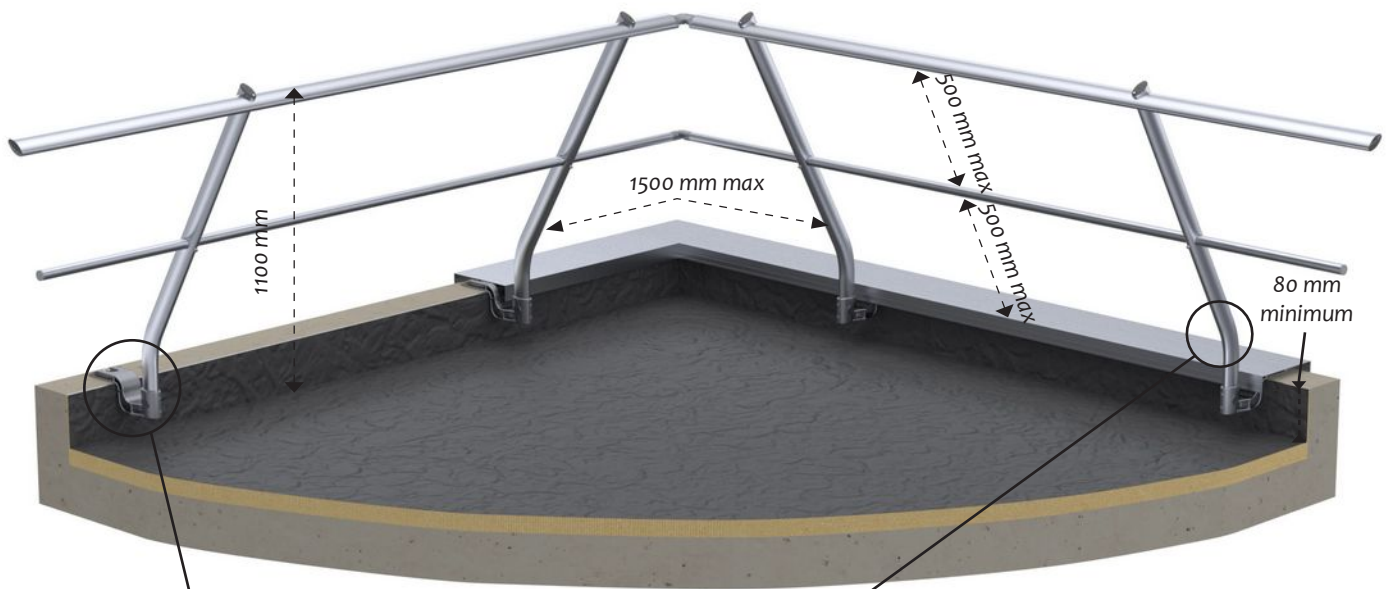
Finish: Raw, anodised or powder coated

Technique: Delivered with manuals and drawings available online at: <http://extranet.somain.fr>



## Inclined guardrail with midrail: GCE-REI2

The **SECURILISSE<sup>®</sup> evo GCE-REI2** is used for mounting on a 160 to 630 mm high parapet with coping cover.



REF: 100255

Base for fixation under cover.  
Fixing : 1 M12

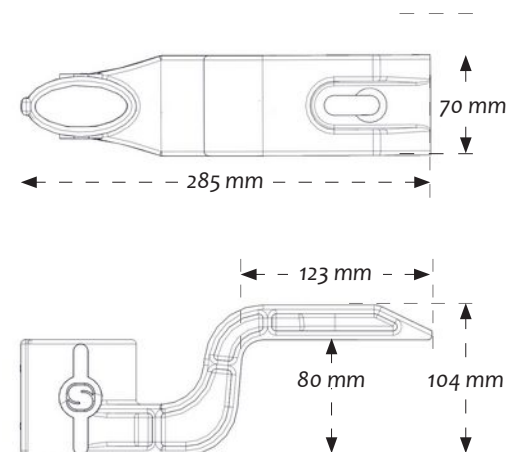


REF: 102332

Inclined upright with midrail.  
Its length depends on the height of the parapet.

REF: 102330

Inclined upright without midrail.  
Its length depends on the height of the parapet (higher than 630mm).



Additional location information: see technical drawing.

STANDARD

## Inclined guardrail without midrail: GCE-REI1

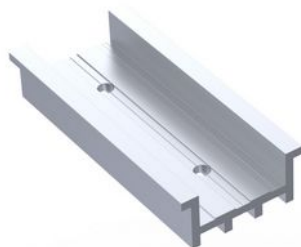
The **SECURILISSE** \* **evo GCE-REI1** is used for mounting on a parapet higher than 630 mm with a coping cover.



## Offset version of z-shaped guardrail : GCE-REI1 D & GCE-REI2 D

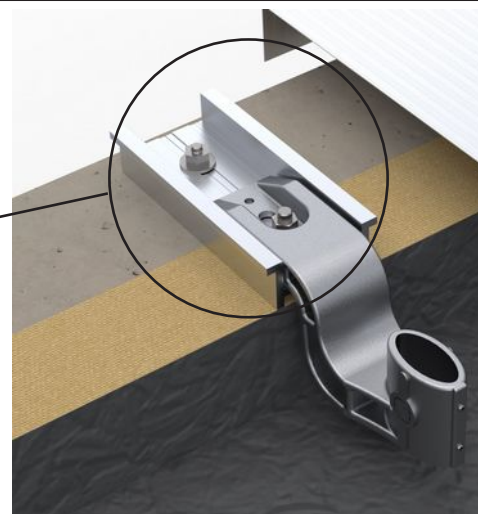
The **SECURILISSE** \* **evo GCE-REI1 D** and the **GCE-REI2 D** are suitable for parapets equipped with an insulation and a coping cover.

The GCE-RE baseplate is bolted to the offset plate. The latter is fixed on the upper face of the parapet, under the coping cover.



**REF: SPECIAL**

Aluminium offset plate.  
Tailor-made part as its length depends on the thickness of the insulation assembly.



## Customised for fixing on metal structures:

The **SECURILISSE** \* **evo GCE-REI1** and the **GCE-REI2** can be easily adapted to metal tubes.

The GCE-RE base is fixed to the metal by 4 self-tapping 6.3X38 screws through a special washer.

**REF: KIT 101847**

**REF: 101872**

Adapter washer for metal bracket.

**REF: 101116**

Self-tapping screw by unit

