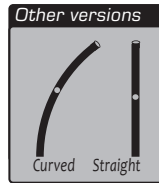


Offset face mounting : GCE-IAD

The **SECURILISSE® evo GCE-IAD** is a collective system against falls from heights, designed for roofs that are inaccessible to the public for face mounting installation. The 30-degree inclined version is chosen for aesthetic reasons as it is less visible from the ground.

Quick installation
No maintenance
Attractive design
60 mm offset



Materials: Aluminium

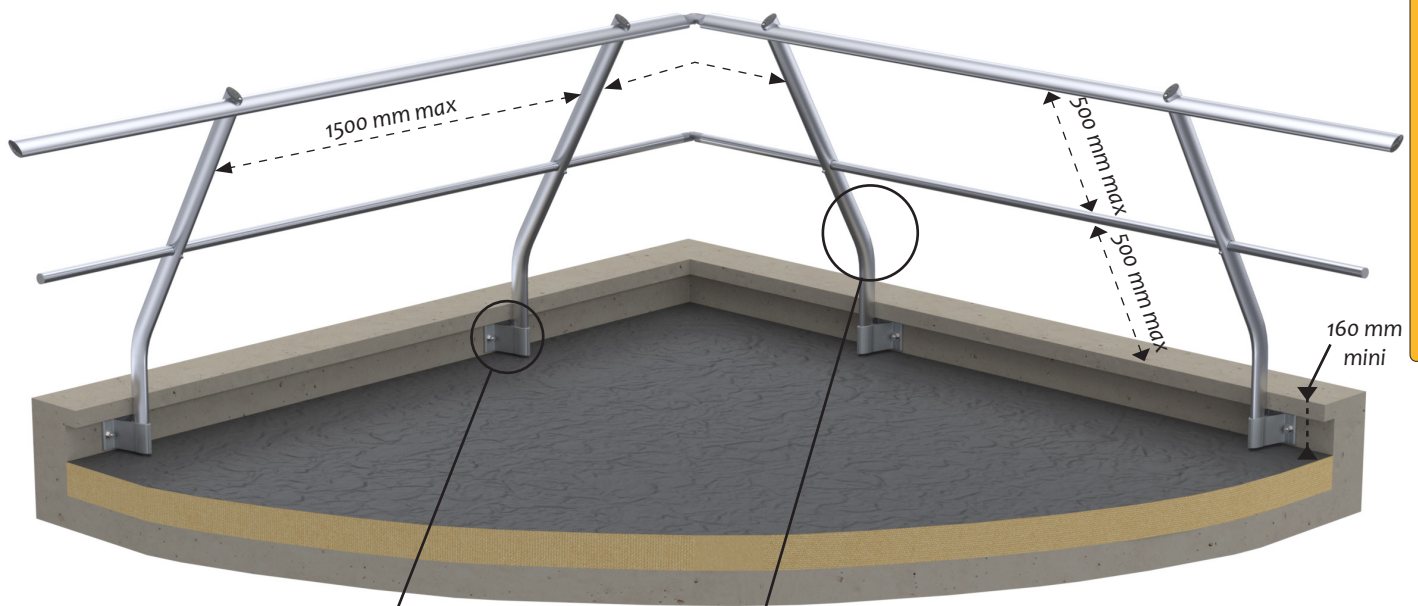
Finish: Raw, anodised or powder-coated

Technique: Delivered with manuals and drawings available online at:
<http://extranet.somain.fr>

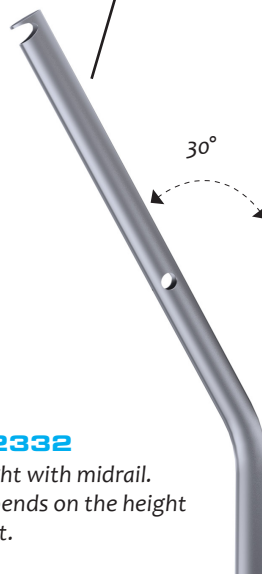
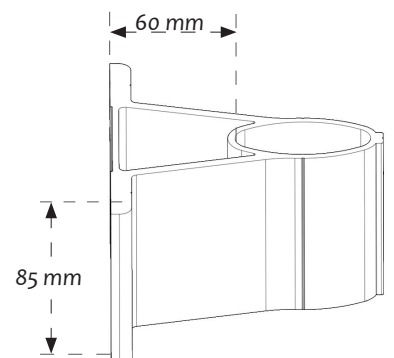
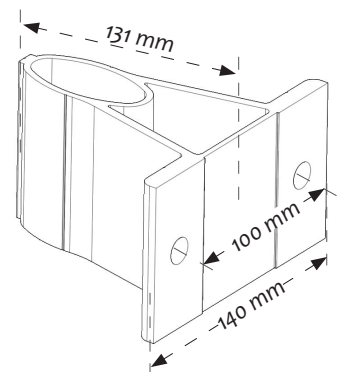


Inclined guardrail with midrail: GCE-IAD2

The **SECURILISSE® evo GCE-IAD2** is used for mounting against a 160 to 630 mm high parapet.



Space requirement:



REF: 101455

Base for offset face mounting.
Fixing : 2 M12
Spacing : 100 mm

REF: 102332

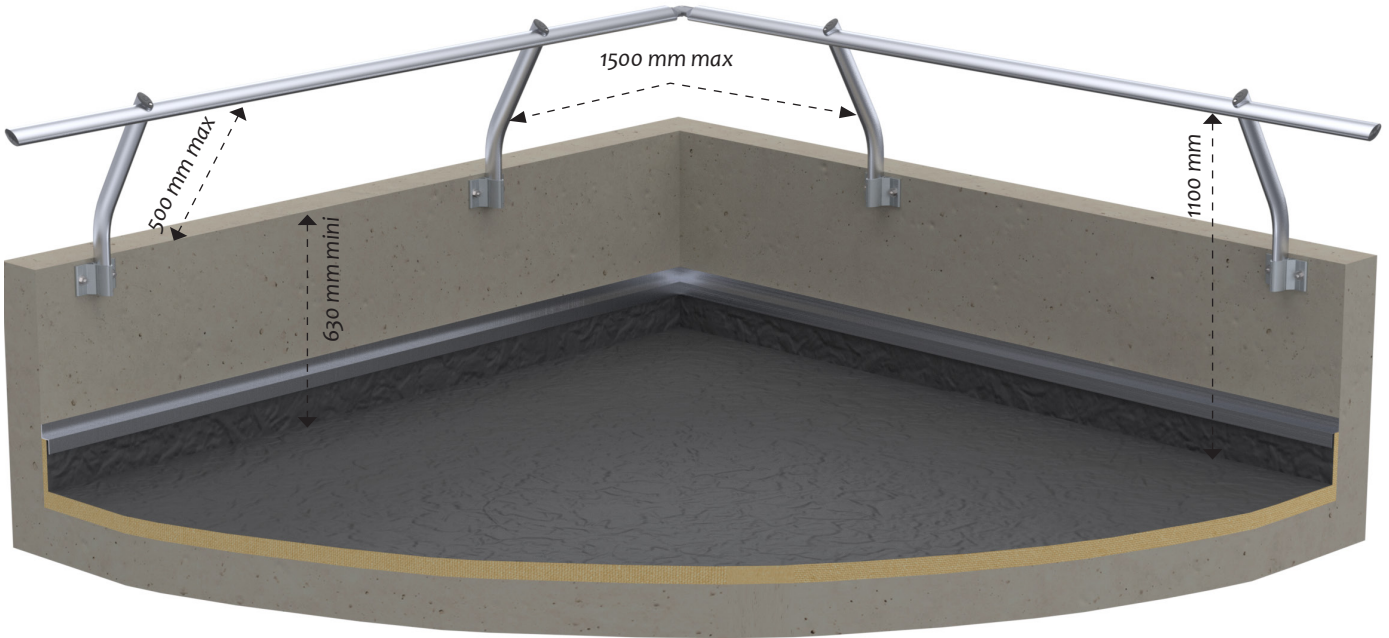
Inclined upright with midrail.
Its length depends on the height
of the parapet.

REF: 102330

Inclined upright without midrail.
Its length depends on the height
of the parapet (higher than 630mm).

Inclined guardrail without midrail: GCE-IAD1

The **SECURILISSE® evo GCE-IAD1** is used for mounting against a higher than 630 mm parapet.



Inclined guardrail with midrails and toeboard: GCE-IAD3

The **SECURILISSE® evo GCE-IAD3** is suitable for work areas without a parapet.
The standard then requires the installation of a toeboard and the addition of a second midrail.

Toeboard accessory:



REF: 101689
Toeboard fixation for GCE-IAD3.
With a parapet of less than 100 mm.

