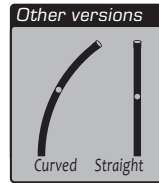


Face mounting : GCE-IA

The **SECURILISSE® evo GCE-IA** is a collective system against falls from heights, designed for roofs that are inaccessible to the public for face mounting installation. The 30-degree inclined version is chosen for aesthetic reasons as it is less visible from the ground.

Quick installation
No maintenance
Attractive design



Materials: Aluminium

Finish: Raw, anodised or powder-coated

Technique: Delivered with manuals and drawings available online at:
<http://extranet.somain.fr>

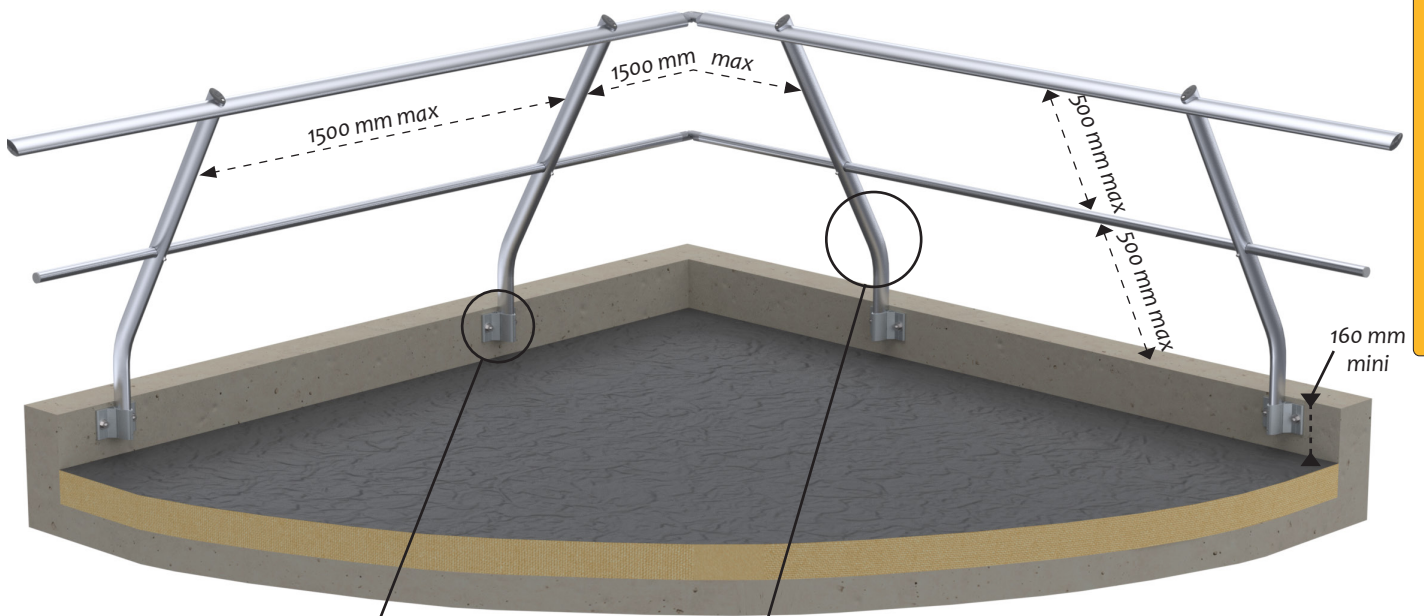


Guardrails

evo GCE-IA

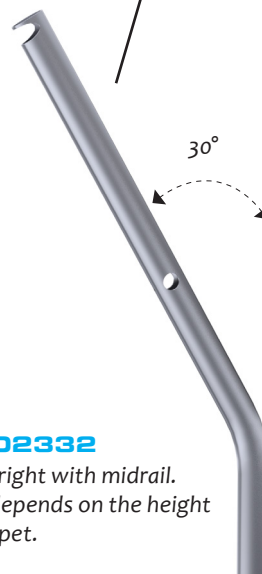
Inclined guardrail with midrail: GCE-IA2

The **SECURILISSE® evo GCE-IA2** is used for mounting against a 160 to 630 mm high parapet.



REF: 101640

Base for face mounting.
Fixing : 2 M12
Spacing : 100 mm



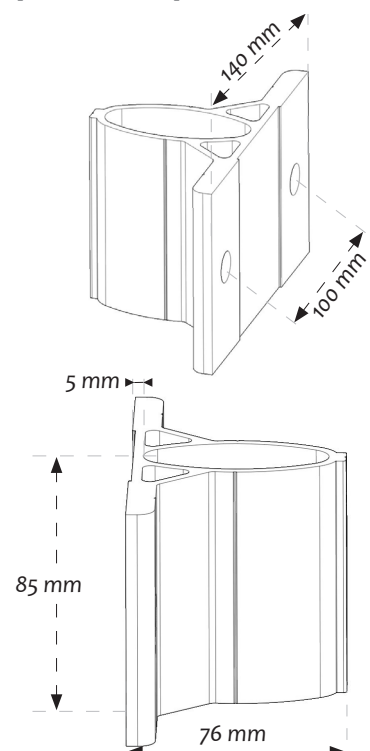
REF: 102332

Inclined upright with midrail.
Its length depends on the height of the parapet.

REF: 102330

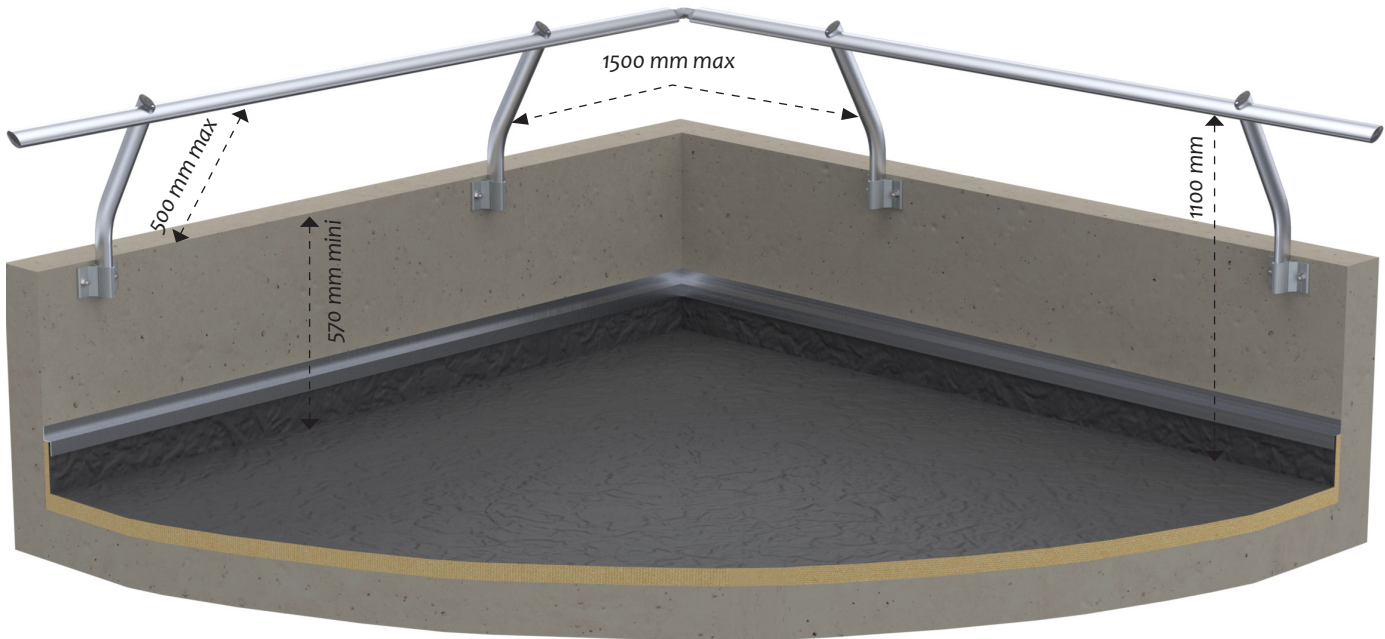
Inclined upright without midrail.
Its length depends on the height of the parapet (higher than 630mm).

Space requirement:



Inclined guardrail without midrail: GCE-IA1

The **SECURILISSE® evo GCE-IA1** is used for mounting against a higher than 630 mm parapet.



Inclined guardrail with midrails and toeboard: GCE-IA3

The **SECURILISSE® evo GCE-IA3** is suitable for work areas without a parapet. The standard then requires the installation of a toeboard.

Toeboard accessory:



REF: 101689

Toeboard fixation for GCE-IA3.
With a parapet of less than 100 mm.

