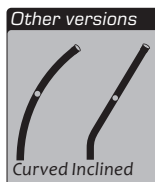


Fixation on insulated terrace: GC-TI

The **SECURILISSE® GC-TI** is a collective system against falls from heights, designed for roofs that are inaccessible to the public for installation on concrete slabs through the insulation. Waterproofing is preserved thanks to the combination of two collars fitted to the guardrail uprights.

Quick installation
Preserved waterproofing
No maintenance

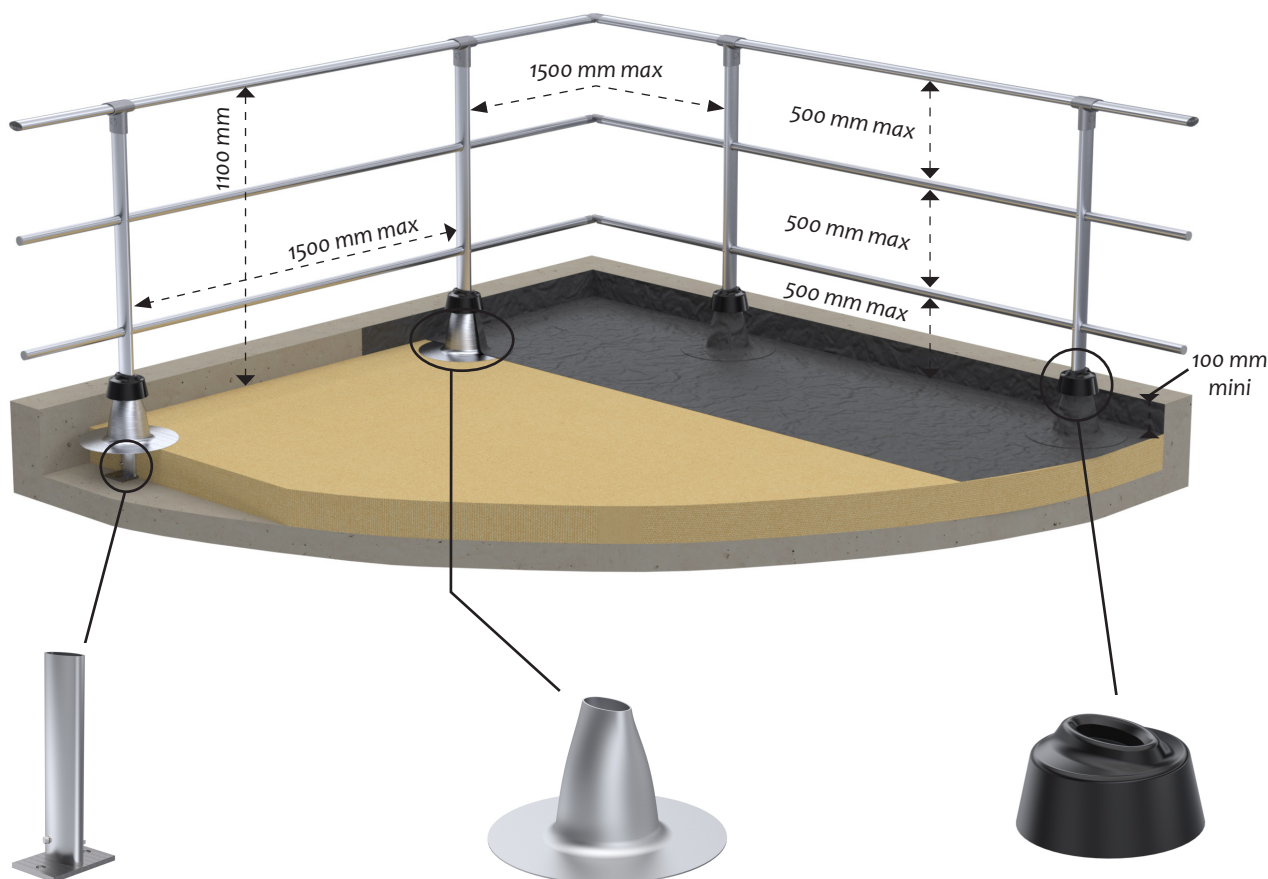


Materials: Aluminium
Finish: Raw, anodised or powder-coated
Technique: Delivered with manuals and drawings available online at: <http://extranet.somain.fr>



Straight guardrail with midrails: GC-TI-D

The **SECURILISSE® GC-TI-D** is used for an installation on concrete terrace with a parapet of 100 mm min.



REF: 101232

Customised GC-TI base
Fixing : 2 M12
Spacing : 100 mm

REF: 101082

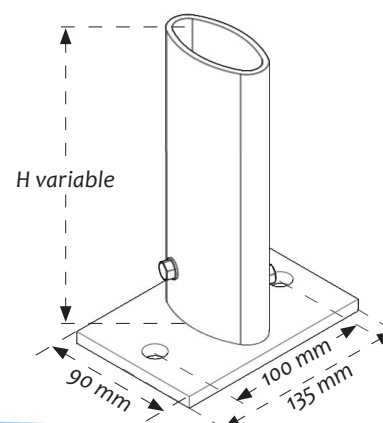
Aluminium cover collar

REF: 101019

Plastic collar

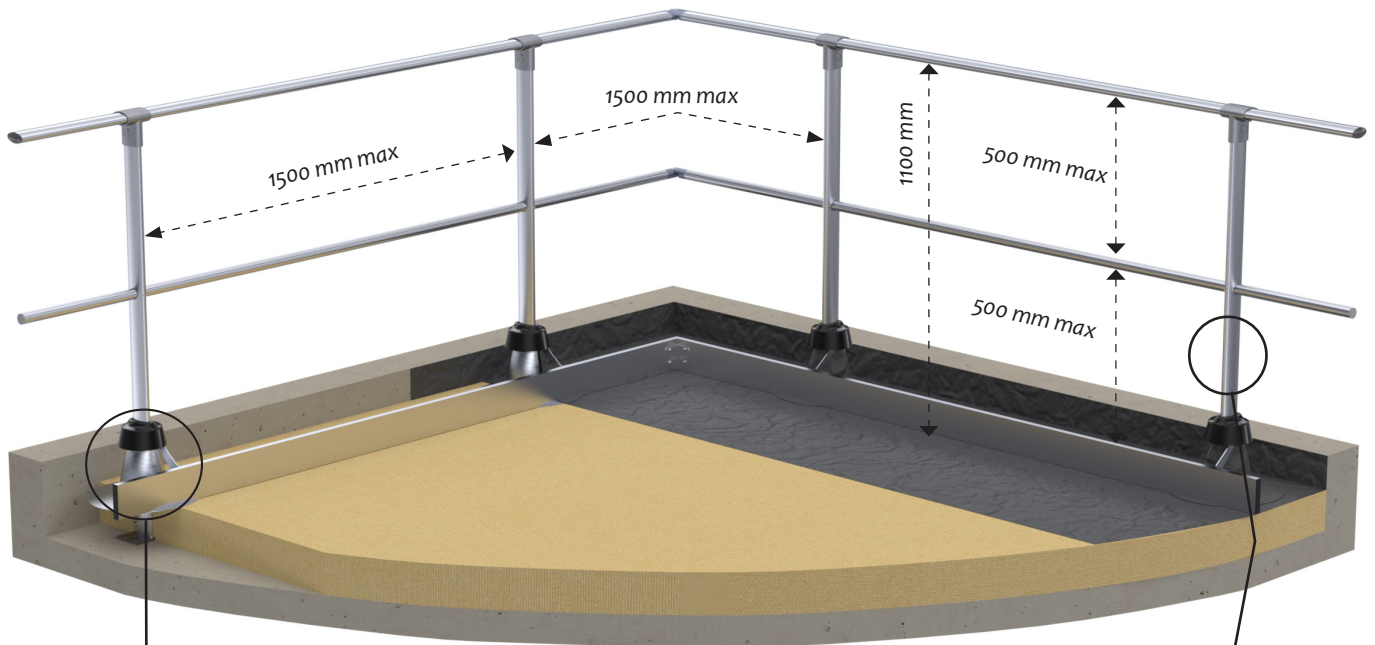
Space requirement:

The height of the base is tailor made in our workshops to match the thickness of the building's waterproofing.

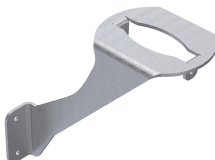
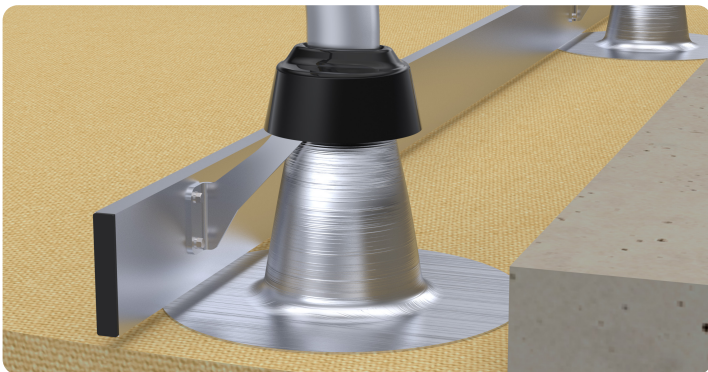


Straight guardrail with midrail and toeboard: GC-TI-DP

The **SECURILISSE® GC-TI-DP** is suitable for work areas on insulated concrete terraces without a parapet or one of less than 100 mm. The standard then requires the installation of a toeboard.



Toeboard accessory:



REF : 101087

Toeboard fixation for GC-TI.
With a parapet of less than 100 mm.



REF : 100532

Standard straight upright.