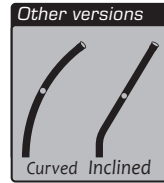


## Face mounting : GCE-DA

The **SECURILISSE® evo GCE-DA** is a collective system against falls from heights, designed for roofs that are inaccessible to the public for face mounting installation.

**Quick installation**  
**No maintenance**  
**Attractive design**



Materials: Aluminium

Finish: Raw, anodised or powder-coated

Technique: Delivered with manuals and drawings available online at:  
<http://extranet.somain.fr>

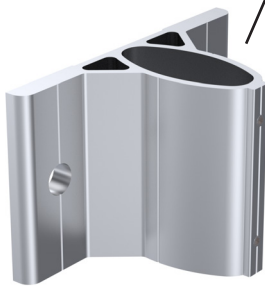
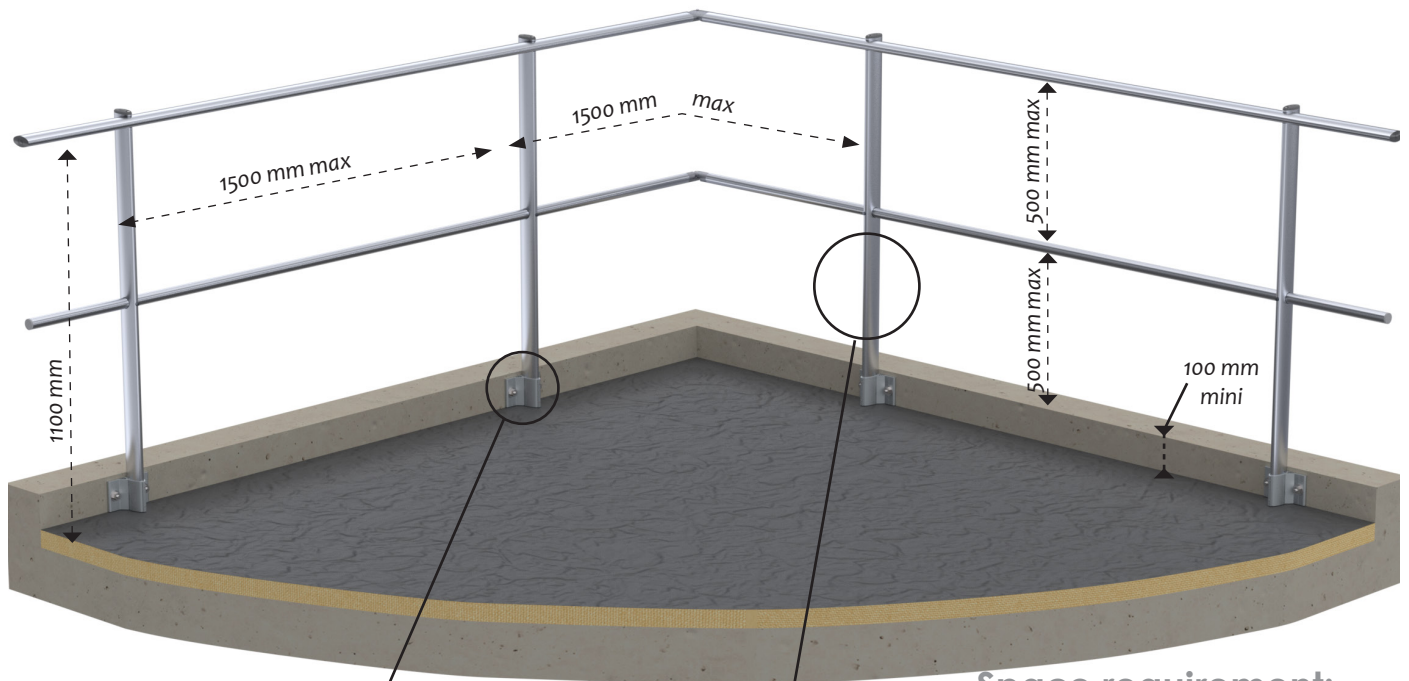


**Guardrails**

**evo GCE-DA**

## Straight guardrail with midrail: GCE-DA2

The **SECURILISSE® evo GCE-DA2** is used for mounting against a 100 to 570 mm high parapet.



**REF: 101640**

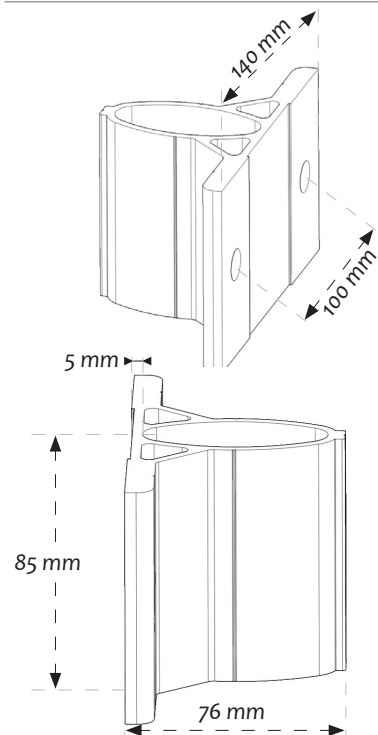
Base for face mounting.  
Fixing : 2 M12  
Spacing : 100 mm



**REF: 102331**

Straight upright with midrail.  
Its length depends on the height of the parapet.

### Space requirement:

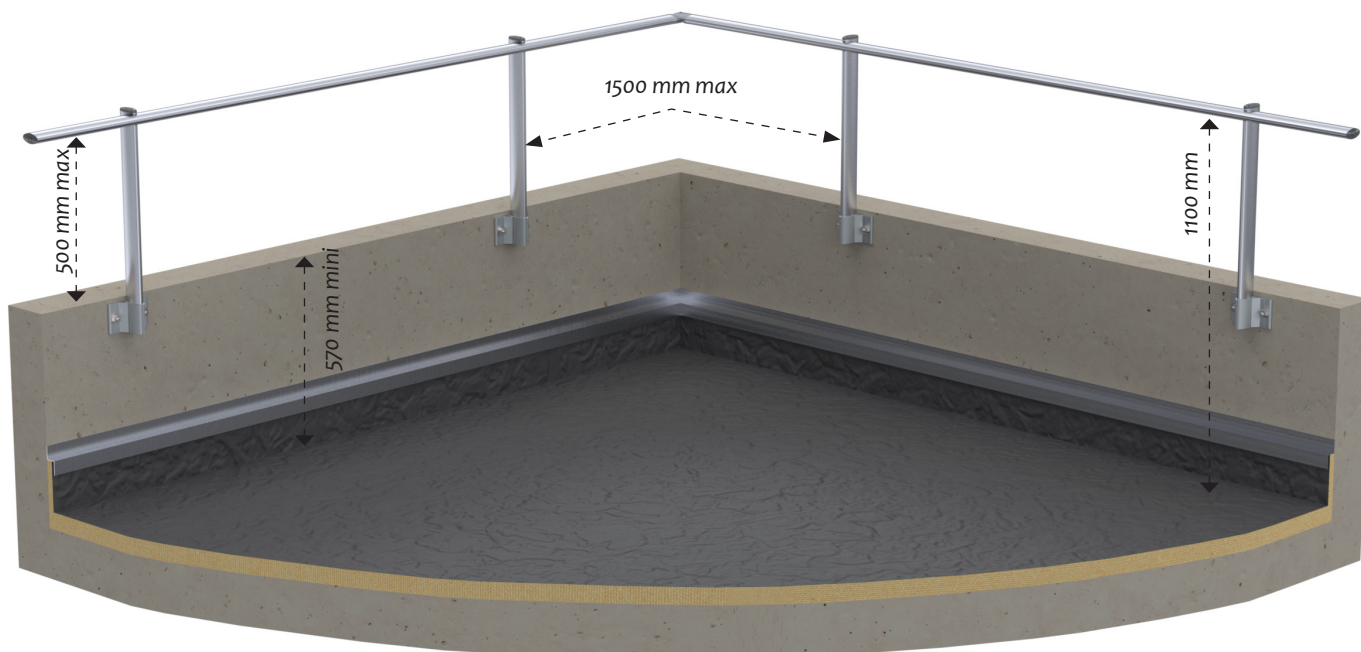


**REF: 102329**

Straight upright without midrail.  
Its length depends on the height of the parapet (higher than 570mm).

## Straight guardrail without midrail: GCE-DA1

The **SECURILISSE® evo GCE-DA1** is used for mounting against a parapet higher than 570 mm.



## Straight guardrail with midrail and toeboard: GCE-DA3

The **SECURILISSE® evo GCE-DA3** is suitable for work areas without a parapet. The standard then requires the installation of a toeboard.

### Toeboard accessory:



REF: 101689

Toeboard fixation for GCE-DA3.  
With a parapet of less than 100 mm.

