

Crossover: **SECURITOIT® SDL**

SECURITOIT® SDL is a collective double access staircase which allows crossing obstacles such as ventilation ducts, cable trays, parapets etc.

SECURITOIT® SDL can be fitted with NF E 85-015 compliant railings on one or both sides.

The **SECURITOIT® SDL** is standardised in a free-standing version, but can be adapted for anchorage to the ground when it comes to significant heights.

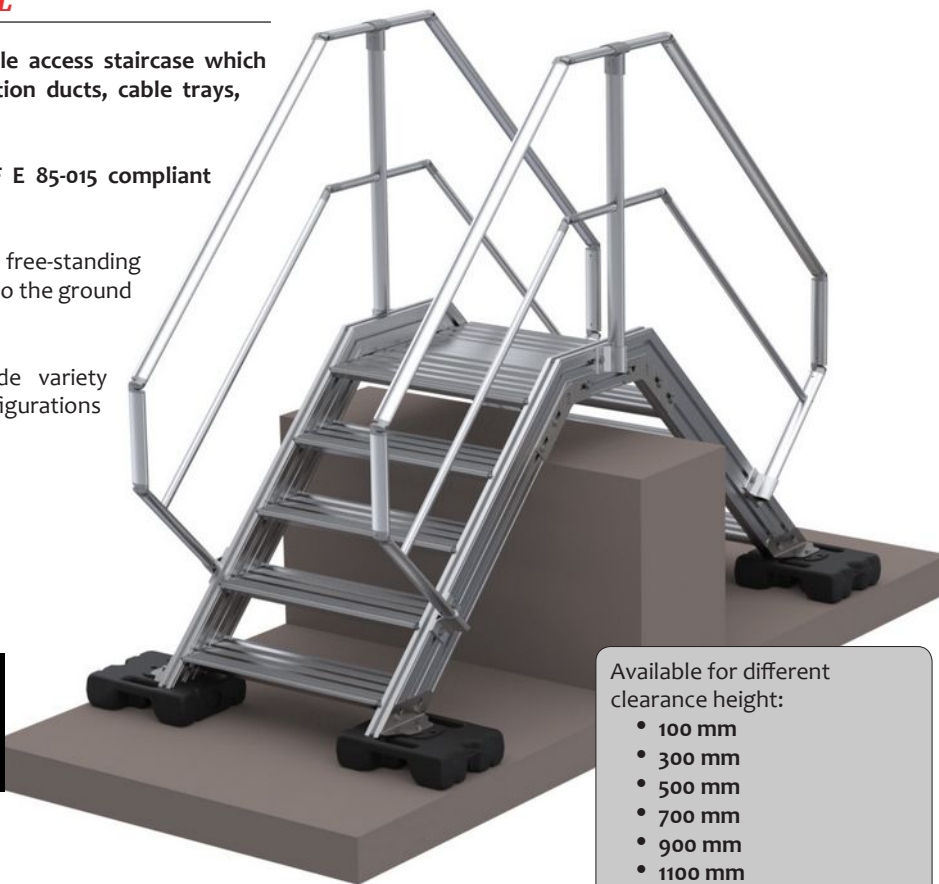
Our design office can offer you a wide variety of solutions suitable for special configurations (angles, wall supports, landings, etc.)

Highly modular
No maintenance
Factory assembled

Material: Aluminium

Finish: Raw, anodised or powder coated

Technique: Delivered with manuals and drawings available online at:
<http://extranet.somain.fr>



Available for different clearance height:

- 100 mm
- 300 mm
- 500 mm
- 700 mm
- 900 mm
- 1100 mm
- 1300 mm

Advantages:

SECURITOIT® SDL is lightweight and quick to install.

The steps and decking are non-slip

SECURITOIT® is a range of devices including gangways, stairs and crossover systems that are fully compatible with each other.

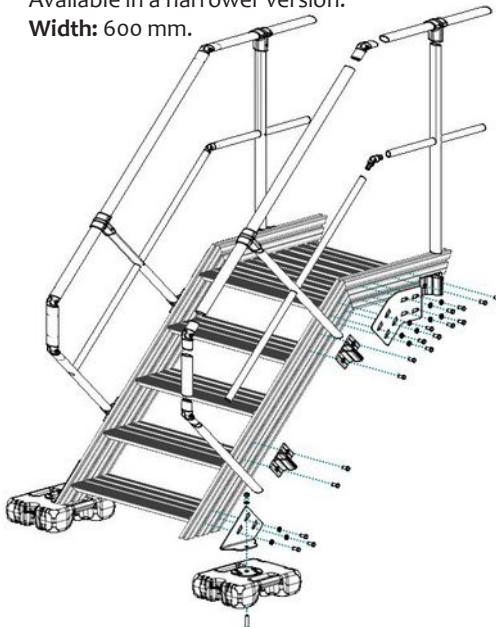
This compatibility allows an area to be brought up to code as a whole, regardless of changes in slopes and levels.

Options:

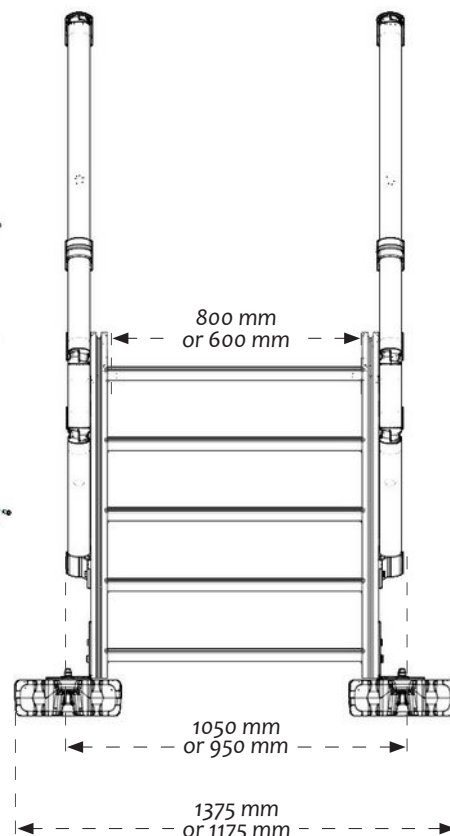
The **SECURILISSE®** railing can be adjusted over the entire length of **SECURITOIT®** gangways and crossover systems. It can be added on one or both sides depending on the configuration.

Available in a narrower version:

Width: 600 mm.

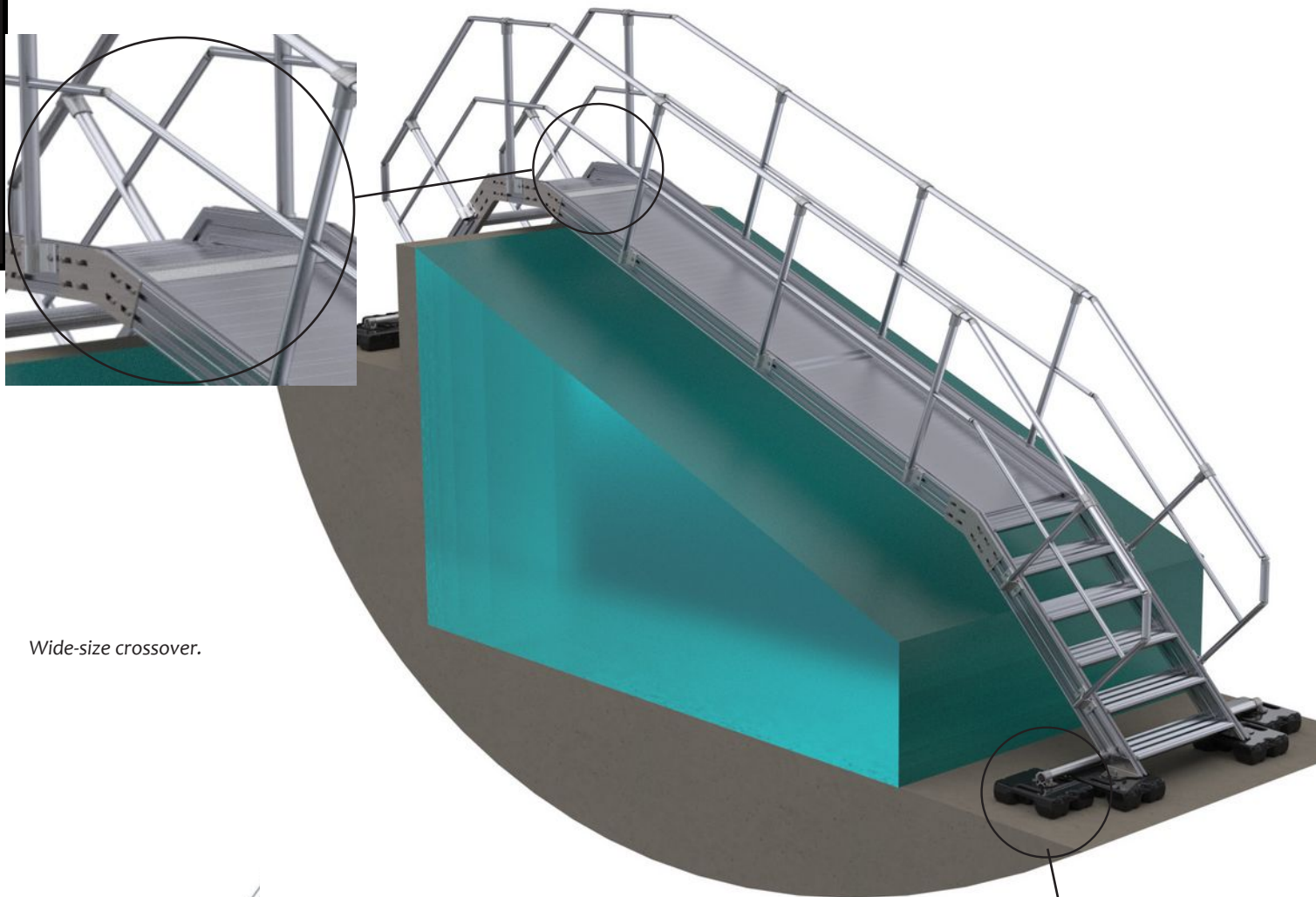


Space requirement:



Special crossover systems

Examples showing the customisation options for **SECURITOIT® SDL** by our design office:



Wide-size crossover.



Asymmetrical crossover.



Crossover

SECURITOIT® SDL